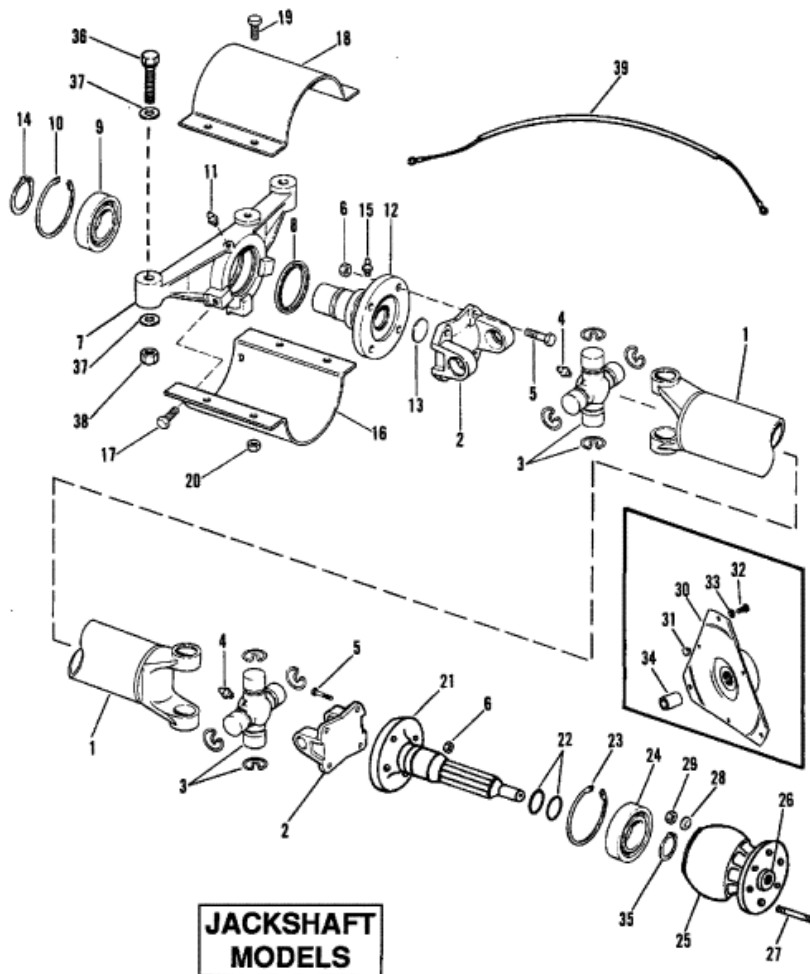


Parts List						
Ref	Class	Part	Description	Qty	Comment	Footnote
1		98626A 3	EXHAUST SEPARATOR	1		
2	10	37612	SCREW (1-1/4 IN.)	4		
3	13	35048	LOCKWASHER	4		
4	25	35029	O-RING	2		
5		60931	RETAINER	2		
6		60930	WATER SHUTTER	2		
7		94018A 1	EXHAUST ELBOW ASSEMBLY	2		
8	10	58640	SCREW	6		
9	13	58643	LOCKWASHER	6		
10	32	48659 4	EXHAUST HOSE	4		
11	54	815504256	CLAMP	20		
12		94608A 1	EXHAUST TUBE ASSEMBLY	2		
13		98630A 1	EXHAUST ELBOW	2	(USE WITH 3 IN. ELBOW)	
13		44390T	EXHAUST ELBOW	2	(USE WITH 4 IN. ELBOW)	
14		70981A 3	EXHAUST BELLOW'S	2	(USE WITH 3 IN. ELBOW)	
14		78458A 1	EXHAUST TUBE	2	(USE WITH 4 IN. ELBOW)	
15		95740	GROUND STRAP	2		
16	54	815504372	CLAMP	4		
17		41063A 1	MOUNTING BRACKET ASSEMBL	1		
18	10	24231	SCREW	1		
19	11	46438	NUT	1		
20		45315	TERMINAL BLOCK	1		



Parts List						
Ref	Class	Part	Description	Qty	Comment	Footnote
1	45	94819A 3	DRIVE SHAFT ASSEMBLY	1		
2		52504T	FLANGE	2		
3		61221	COVER AND BEARING KIT	2		
4	22	74036	GREASE FITTING	2		
5	10	805159	SCREW (1-1/2 IN.)	8		
6	11	34933	NUT	8		
7		42304A 2	BEARING SUPPORT ASSEMBLY	1		
8	26	93924	OIL SEAL	1		
9	30	93944A 1	BALL BEARING	1		
10	53	93914	SNAP RING	1		
11	22	74036	GREASE FITTING	1		
12		93908A 1	SHAFT ASSEMBLY (INPUT)	1		
13	19	93921	EXPANSION PLUG	1		
14	53	93915	SNAP RING	1		
15	22	74036	GREASE FITTING	1		
16		93918A 1	SHIELD ASSEMBLY (LOWER)	2		
17	10	76926	SCREW (7/8 IN.)	6		
18		93919A 1	SHIELD ASSEMBLY (UPPER)	2		
19	10	96995	SCREW (7/8 IN.)	8		
20	11	68411	NUT	8		
21		93906A 2	SHAFT ASSEMBLY (OUTPUT)	1		
22	25	25439	O-RING	2		
23	53	94104	SNAP RING	1		
24	30	62780A 1	BALL BEARING	1		
25		49736A 3	COUPLING ASSEMBLY	1	2 PIECE SEAL	
26	23	95966	BUSHING	1	2 PIECE SEAL	
27	16	98532A 1	STUD ASSEMBLY	6	2 PIECE SEAL	
28	12	34567	WASHER	6	2 PIECE SEAL	
29	11	98533	NUT	6	2 PIECE SEAL	
30		18643A 8	COUPLING ASSEMBLY	1	FULL CIRCLE SEAL	
31		18644	BUMPER	3	FULL CIRCLE SEAL	
32	10	14883	SCREW	3	FULL CIRCLE SEAL	
33	12	13510	WASHER	3	FULL CIRCLE SEAL	
34	23	49126	BUSHING	1	FULL CIRCLE SEAL	
35	53	94103	SNAP RING	1		
36	10	57053	BOLT (4-1/2 IN.)	2		
37	12	42307	WASHER (SPHERICAL)	4		
38	11	28040	NUT	2		
39	84	41575A 1	HARNES ASSEMBLY	1		